

SCG004A (16 CHARACTERS X 2 LINES)

FEATURES

- BUILT-IN CONTROLLER (NT7603 OR EQUIVALENT)
- +5 V POWER SUPPLY
- 1/16 DUTY CYCLE
- 8-BIT PARALLEL INTERFACE

MECHANICAL DATA

ITEM	DIMENSIONS	UNIT
Module Size (W x H x T)	70.0 x 30.0 x 5.7	mm
Viewing Area (W x H)	63.0 x 16.0	mm
Active Area (W x H)	56.21 x 11.0	mm
Dot Size (W x H)	0.56 x 0.66	mm
Dot Pitch (W x H)	0.60 x 0.70	mm

INTERFACE PIN CONNECTIONS

NO.	SYMBOL	LEVEL	FUNCTION
1	V _{SS}	0V	Power Supply Ground
2	V _o	-	Contrast Adj.
3	V _{DD}	5V	Power Supply Voltage
4	RS	H/L	Register Select
5	R/W	H	Read/Write
6	E	H	Enable Signal
7~14	D0~D7	H/L	Data Bus Line

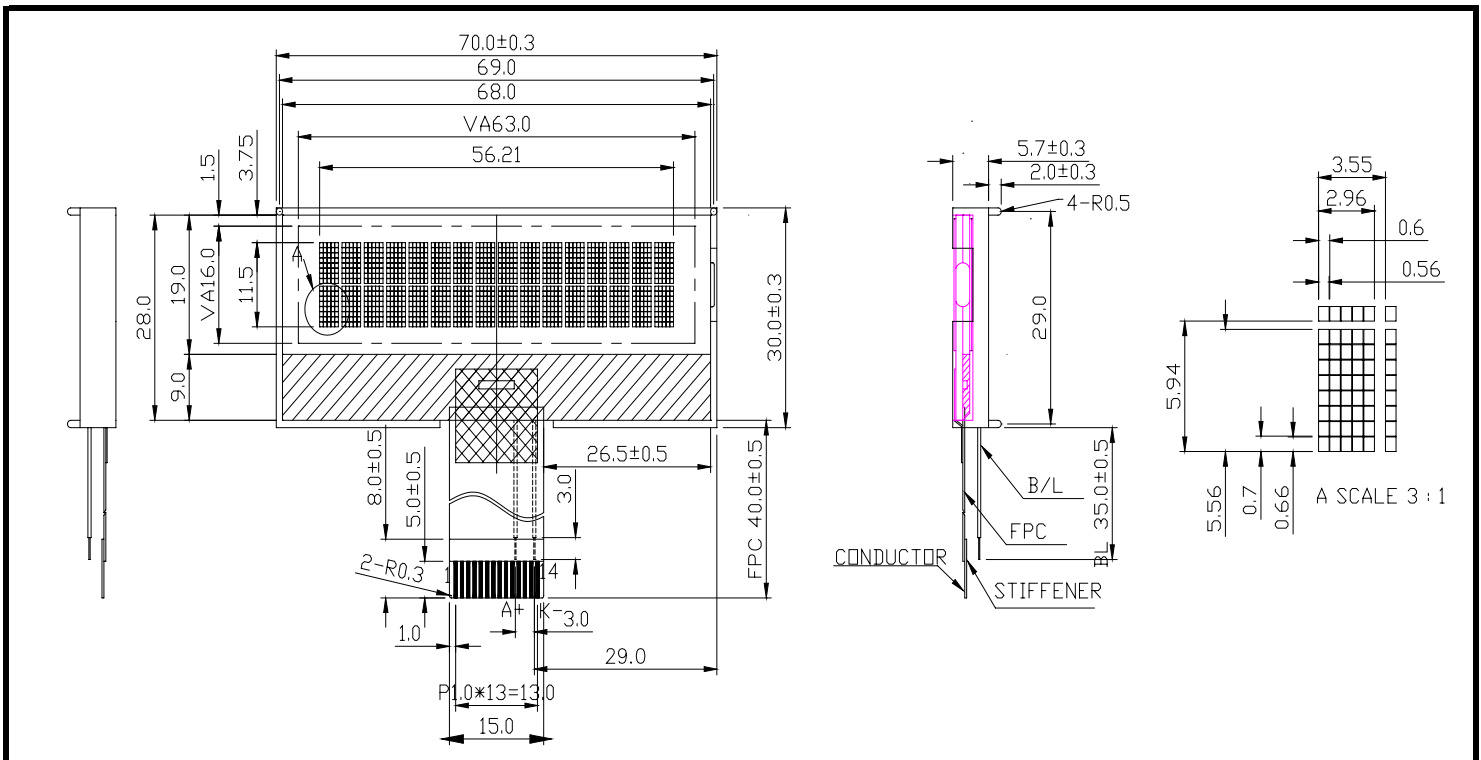
ABSOLUTE MAXIMUM RATINGS

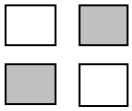
ITEM	SYMBOL	MIN.	TYP.	MAX.	UNIT
Supply Voltage For Logic	V _{DD} -V _{SS}	0	-	7	V
Supply Voltage For LCD Drive	V _{DD} -V _o	0	-	12	V
Input Voltage	V _I	V _{SS}	-	V _{DD}	V

ELECTRICAL CHARACTERISTICS

ITEM	SYMBOL	CONDITION	MIN.	TYP.	MAX.	UNIT	
Supply Voltage For Logic	V _{DD} -V _{SS}	-	2.8	5	5.5	V	
Supply Voltage For LCD	V _{DD} -V _o	V _{DD} =5V Ta=25	4	4.3	4.6	V	
Supply Current	I _{DD}	V _{DD} =5V	-	1.2	2	mA	
Input Voltage	"HIGH" Level	V _{IH}	-	2.2	-	V _{DD}	V
	"LOW" Level	V _{IL}	-	-	-	0.6	V
Output Voltage	"HIGH" Level	V _{OH}	-	2.4	-	-	V
	"LOW" Level	V _{OL}	-	-	-	0.4	V

EXTERNAL DIMENSIONS

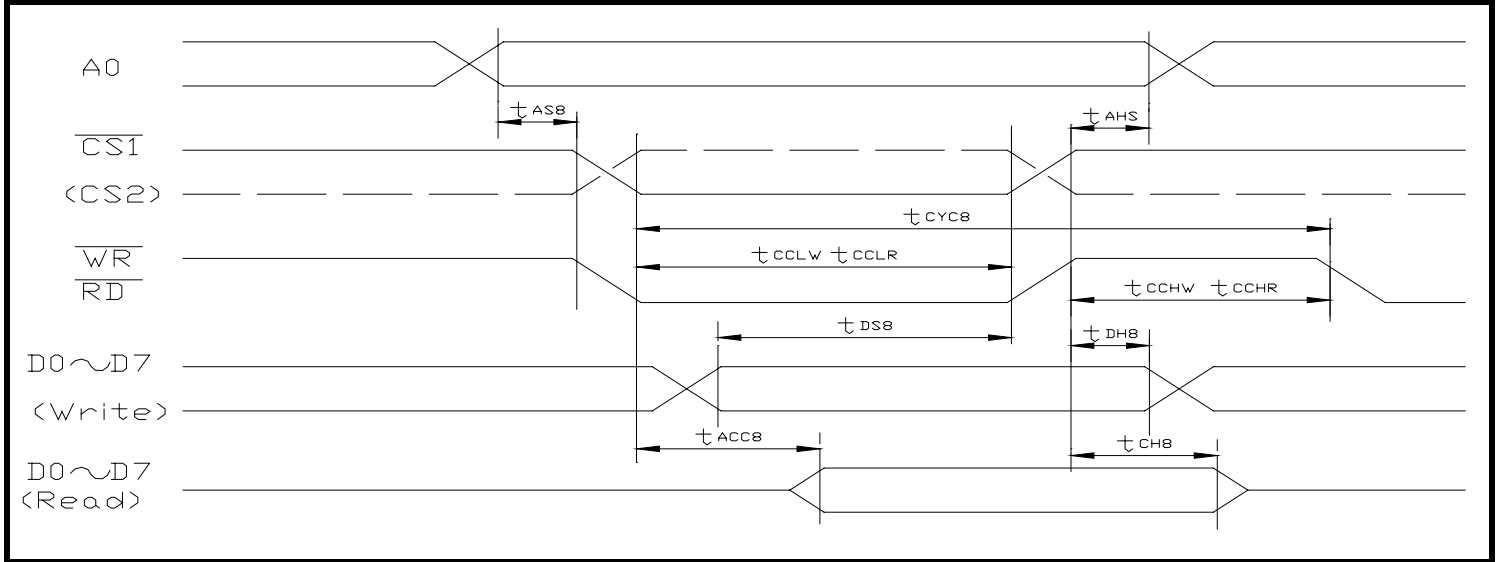




SCG004A (16 CHARACTERS X 2 LINES)

TIMING CHARACTERISTICS

ITEM	SYMBOL	MIN.	TYP.	MAX.	UNIT.
System Cycle Time	t_{CYC6}	300	-	-	ns
Add Setup Time	t_{AS6}	0	-	-	ns
Add Hold Time	t_{AH6}	0	-	-	ns
Data Sep-up Time	t_{DS6}	40	-	-	ns
Data Hold Time	t_{DH6}	15	-	-	ns
Output disable time	t_{OH6}	10	-	100	ns
Access time	t_{ACC6}	-	-	140	ns
Enable H pulse width(Read)	t_{EWHR}	120	-	-	ns
Enable H pulse width(Write)	t_{EWHW}	90	-	-	ns
Enable L pulse width(Read)	t_{EWLR}	60	-	-	ns
Enable L pulse width(Write)	t_{EWLW}	120	-	-	ns



BLOCK DIAGRAM

