



# SD1602X ( 16 CHARACTERS x 2 LINES )

## FEATURES

- 5 x 7 DOTS WITH CURSOR
- BUILT-IN CONTROLLER IIC
- 3.3 V POWER SUPPLY
- 1/16 DUTY CYCLE
- IIC SERIAL INTERFACE

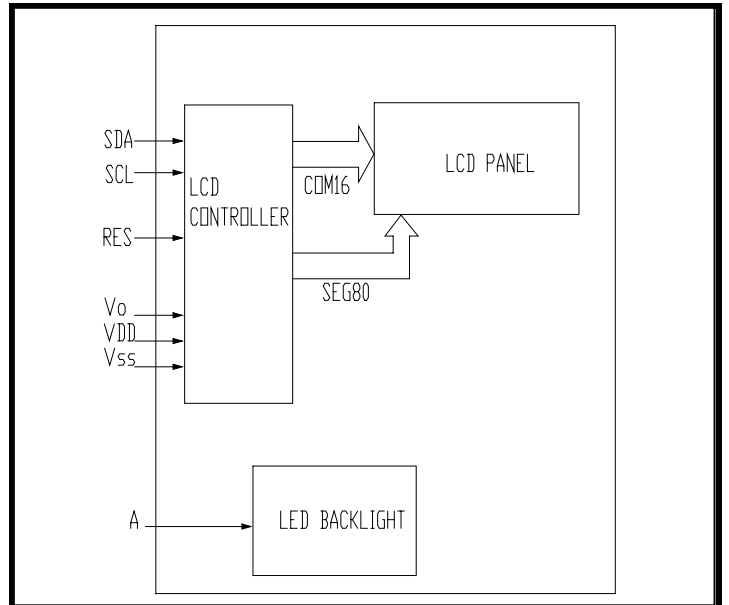
## ELECTRICAL CHARACTERISTICS

ITEM	SYMBOL	CONDITION	MIN.	TYP.	MAX.	UNIT
LCD Operating Voltage	V <sub>DD-Vo</sub>	T=0	-	-	-	V
		T=25	4.0	4.5	5.0	V
		T=50	-	0	-	V
Supply Voltage	V <sub>DD-Vss</sub>	-	2.7	3.3	4.5	V
Supply Current	I <sub>DD</sub>	-	-	3.2	6	mA
Input Voltage	"HIGH" Level	V <sub>IH</sub>	-	2.2	-	V <sub>DD</sub> V
	"LOW" Level	V <sub>IL</sub>	-	0	-	0.6 V
Output Voltage	"HIGH" Level	V <sub>OH</sub>	-	2.4	-	V
	"LOW" Level	V <sub>OL</sub>	-	-	-	0.4 V

## MECHANICAL DATA

ITEM	DIMENSIONS	UNIT
Module Size (W x H x T)	73.25 x 35.5 x 11.5	mm
Viewing Area (W x H)	52.0 x 14.4	mm
Character Size (W x H)	2.55 x 4.99	mm
Character Pitch (W x H)	3.16 x 5.41	mm
Dot Size (W x H)	0.47 x 0.58	mm
Dot Pitch (W x H)	0.52 x 0.63	mm

## BLOCK DIAGRAM



## INTERFACE PIN CONNECTIONS

NO.	SYMBOL	FUNCTION
1	V <sub>SS</sub>	Supply Ground
2	V <sub>DD</sub>	Supply Voltage
3	V <sub>O</sub>	Contrast Adj.
4	SDA	IIC Bus Serial Data Input/Output
5	SCL	IIC Bus Serial Clock Input
6	A	LED Power
7	RES	Reset Input

## EXTERNAL DIMENSIONS

